

User Manual

EN

MWL 22 EGL
MWL 22 EGR



TeKa

Dear Customer:

Before going any further, we want to thank you for preferring our product. We are sure that this modern, functional and practical microwave oven, manufactured with top quality materials, will fully meet your expectations.

We ask you to read the instructions in this booklet very carefully as this will allow you to get the best results from using your microwave oven.

KEEP THE DOCUMENTATION OF THIS PRODUCT FOR FUTURE REFERENCE.

Always keep the instruction manual handy. If you lend the microwave oven to someone else give them the manual as well!

Environmental protection

Disposal of the packaging

The packaging bears the Green Point mark.

Dispose of all the packaging materials such as cardboard, expanded polystyrene and plastic wrapping in the appropriate bins. In this way you can be sure that the packaging materials will be re-used.



Disposal of equipment no longer used

According to European Directive 2002/96/EC on the management of waste electrical and electronic equipment (WEEE), home electrical appliances should not be put into the normal systems for disposal of solid urban waste.

Outdated appliances should be collected separately to optimise component material recovery and re-cycling rates and to prevent potential harm to human health and the environment. The symbol of a rubbish container superimposed by a diagonal cross should be put on all such products to remind people of their obligation to have such items collected separately.

Consumers should contact their local authorities or point of sale and request information on the appropriate places to leave their old home electrical appliances.

Before disposing of your appliance, render it non-usable by pulling out the power cable, cutting this and disposing of it.

Contents

Installation instructions	3
Before installation	3
After installation	3
Microwave safety	4
The advantages of microwaves	6
Description of your oven	7
Basic settings	8
Setting the clock	8
Hiding/Displaying the Clock	8
Safety blocking	8
Basic Functions	9
Microwaves	9
Grill	9
Microwave + Grill	10
Defrosting by time (manual)	10
Defrosting by weight (automatic)	11
Special functions	12
When the oven is working	13
Interrupting a cooking cycle	13
Altering parameters	13
End of a cooking cycle	13
Defrosting	14
General instructions for defrosting	15
Cooking with a microwave oven	16
Cooking with the grill	18
What kind of ovenware can be used?	20
Microwave function	20
Grill function	20
Combined functions	20
Aluminium containers and foil	20
Lids	20
Oven Cleaning and Maintenance	22
Front surface	22
Oven interior	22
Oven ceiling	23
Accessories	23
What should I do if the oven doesn't work?	24
Substitution of light bulb	24
Technical characteristics	25
Description of Functions	25
Specifications	25
Installation	26

Before installation

Check that the input voltage indicated on the characteristics plate is the same as the voltage of the power outlet you are going to use.

Open the oven door and **take out all the accessories** and remove the packing material.

Warning! The front surface of the oven may be wrapped with a **protective film**. Before using the oven for the first time, carefully remove this film, starting on the inside.

Make sure that the oven is not damaged in any way. Check that the oven door closes correctly and that the interior of the door and the front of the oven opening are not damaged. If you find any damage contact the Technical Assistance Service.

DO NOT USE THE OVEN if the power cable or the plug are damaged, if the oven does not function correctly or if it has been damaged or dropped. Contact the Technical Assistance Service.

Put the oven on a flat and stable surface. The oven must not be put close to any sources of heat, radios or televisions.

During installation, make sure that the power cable does not come into contact with any moisture or objects with sharp edges behind the oven. High temperatures can damage the cable.

Warning: after the oven is installed you must make sure you can access the plug.

After installation

The oven is equipped with a power cable and a plug for single phase current.

If the oven is to be installed on a permanent basis it should be installed by a qualified technician. In such a case, the oven should be connected to a circuit with an all-pole circuit breaker with a minimum separation of 3 mm between contacts.

WARNING: THE OVEN MUST BE EARTHED.

The manufacturer and retailers do not accept responsibility for any damage that may be caused to people, animals or property if these installation instructions are not observed..

The oven only functions when the door is closed correctly.

Before the first use, clean the inside of the oven and the accessories, following the cleaning instructions given in the section "Oven cleaning and maintenance".

During installation, follow the instructions supplied separately.

Microwave safety

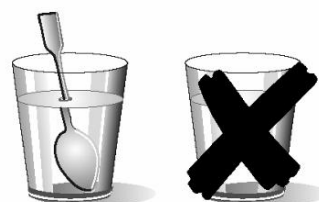


- **Warning!** Never leave the oven unwatched, especially when using paper, plastic or other combustible materials. These materials can char and may fire. FIRE RISK!
- **Warning!** If you see smoke or fire, keep the door closed in order to smother the flames. Switch off the oven and take the plug out of the socket or cut off the oven power supply.
- **Warning!** Do not heat pure alcohol or alcoholic drinks in the microwave. FIRE RISK!
- **Warning!** Do not heat liquids or other foods in closed containers since these may explode readily.
- **Warning!** This appliance is not intended for use by persons (including children) with reduced physical, sensory or mental capabilities, or lack of experience and knowledge, unless they have been given supervision or instruction concerning use of the appliance by a person responsible for their safety.
- **Warning!** Children should be supervised to ensure that they do not play with the appliance.
- **Warning!** If the oven has a combined function mode (microwave with other means of heating), children should not be allowed to use the oven without adult supervision on account of the high temperatures generated.
- **Warning!** The oven cannot be used if:
 - The door does not close correctly;
 - The door hinges are damaged;
 - The contact surfaces between the door and the oven front are damaged;
 - The door window glass is damaged;
 - There is frequent electrical arcing inside the oven even though there is no metal object inside. The oven **can only be used again** after it has been repaired by a Technical Assistance Service technician.

- During use the appliance becomes hot. Care should be taken to avoid touching heating elements inside the oven.
- **Warning:** Accessible parts may become hot during use. Young children should be kept away.

Beware!

- Never heat baby foods or drinks in bottles or jars with the teats or lids on them. After heating the food mix or shake well so that the heat is spread evenly. Check the food temperature before feeding this to the child. DANGER OF BURNING!
- To avoid food overheating or burning it is very important not to select long time periods or power levels that are too high when **heating small quantities of food**. For example, a bread roll can burn after 3 minutes if the power selected is too high.
- For toasting, use just the grilling function and watch the oven all the time. If you use a combined function to toast bread it will catch fire in a very short time.
- Make sure you never catch the power cables of other electrical appliances in the hot door or the oven. The cable insulation may melt. **Danger of short-circuiting!**



Take care when heating liquids!

When liquids (water, coffee, tea, milk, etc.) are nearly at boiling point inside the oven and are taken out suddenly, they may spurt out of their containers. DANGER OF INJURIES AND BURNS!

To avoid that type of situation when heating liquids, put a teaspoon or glass rod inside the container.

This oven is exclusively for domestic use!

Use the oven only for preparing meals.

Avoid damaging the oven or other dangerous situations by following these instructions:

- **Never switch on the microwave when it is empty.** If there is no food inside there may be an electrical overcharge and the oven could be damaged. RISK OF DAMAGE!
- **For carrying out oven programming tests** put a glass of water inside the oven. The water will absorb the microwaves and the oven will not be damaged.
- Do not cover or obstruct the **ventilation openings**.
- Use only **dishes suitable** for microwaves. Before using dishes and containers in the microwave, check that these are suitable (see the section on types of dishes).
- Do not keep any **flammable object** inside the oven as it may burn if the oven is switched on.
- Do not use the oven as a **pantry**.
- **Eggs with their shells** and **whole boiled eggs** must not be heated in microwave ovens because they may explode.
- Do not use the oven for **frying** as it is impossible to control the temperature of oil heated by microwaves.
- **To avoid being burnt**, always use oven gloves for handling dishes and containers and touching the oven.
- The ceramic base in the cavity can bear a maximum load of 8 kg. To avoid damaging the oven, do not exceed this load.

Cleaning:

- **Warning!** Your microwave oven must be cleaned regularly. All food remains must be removed (see section on **Oven Cleaning**). If the microwave oven is not kept clean its surface may deteriorate **and this may shorten the oven's working life and could even result in a dangerous situation.**
- **Warning!** Do not use harsh abrasive cleaners or sharp metal scrapers to clean the oven door glass since they can scratch the surface, which may result in shattering of the glass.
- The door contact surfaces (the front of the cavity and the inside part of the doors) must be kept very clean in order to ensure the oven functions correctly.
- Please follow the instructions regarding cleaning in the section "Oven Cleaning and Maintenance".

Repairs:

- **Warning – Microwaves! The outer protection of the oven must not be removed.** It is dangerous for anyone not authorised by the manufacturer to carry out any kind of repair or maintenance work.
- If the power cable is damaged it should be substituted by the manufacturer, authorised agents or technicians qualified for this task in order to avoid dangerous situations. Furthermore, special tools are required for this task.
- Repair and maintenance work, especially of current carrying parts, can only be carried out by technicians authorised by the manufacturer.

The advantages of microwaves

In conventional ovens, heat radiated by electrical elements or gas burners slowly penetrates the food from outside to inside. On account of this a major amount of energy is wasted heating the air, the oven components and the food containers.

In a microwave oven, heat is generated by the food itself and the heat travels from inside to outside. No heat is lost to the air, the walls of the oven cavity or the dishes and containers (if these are suitable for use in microwave oven), in other words, only the food is heated.

Microwave ovens have the following advantages:

1. Shorter cooking times; in general these are up to 3/4 less than the time required for conventional cooking.
2. Ultra-fast food defrosting, thus reducing the danger of bacterial development.
3. Energy savings.
4. Conservation of the nutritional value of foods due to the shorter cooking times.
5. Easy to clean.

How a microwave oven works

In a microwave oven there is a high tension valve called a magnetron which converts electrical energy into microwave energy. These electromagnetic waves are channelled to the interior of the oven through a wave guide and distributed by a metallic spreader or through a ceramic base.

Inside the oven the microwaves propagate in all directions and are reflected by the metal walls, uniformly penetrating the food.

Why food heats up

Most foods contain water and water molecules vibrate when subjected to microwaves.

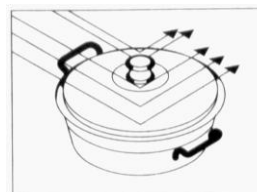
The friction between molecules produces heat which raises the temperature of the food, defrosting it, cooking it or keeping it hot.

Since the heat arises inside the food:

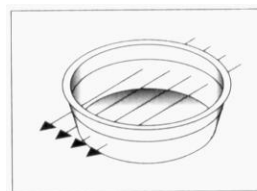
- This can be cooked with little or no liquid or fats/oils;
- Defrosting, heating or cooking in a microwave oven is quicker than in a conventional oven;
- The vitamins, minerals and nutritional substances in the food are conserved;
- The natural colour and aroma of the food are unchanged.

Microwaves pass through china, glass, cardboard or plastic but do not go through metal. For this reason, metal containers or ones with metal parts must not be used in a microwave oven.

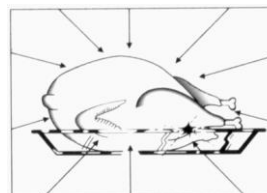
Microwaves are reflected by metal...



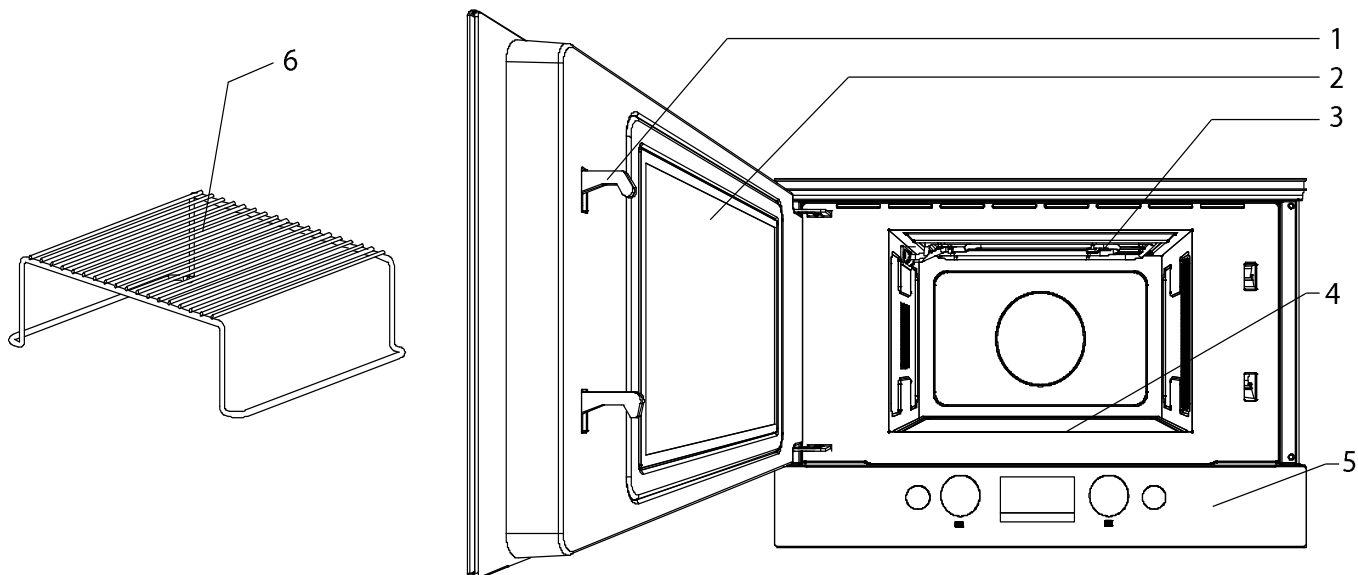
... but go through glass and china...



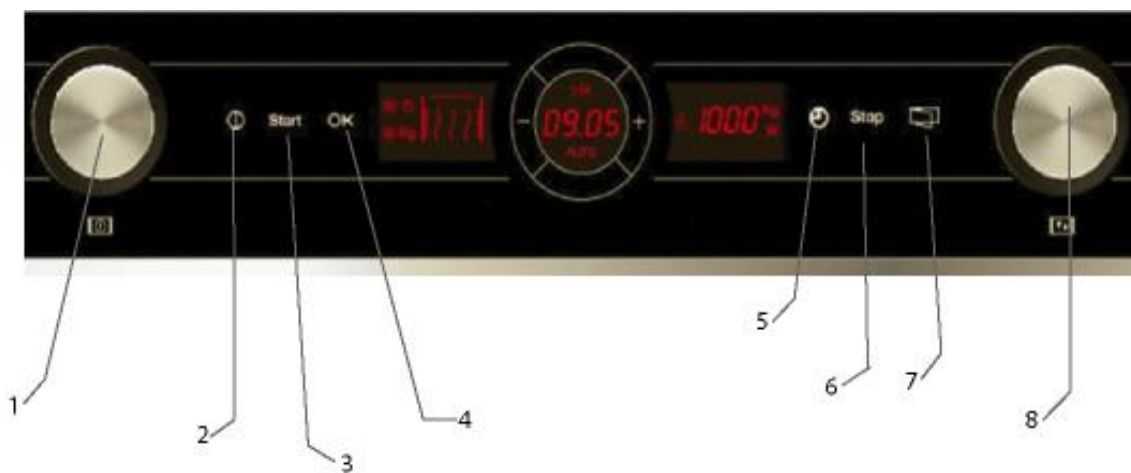
... and are absorbed by foods.



Description of your oven



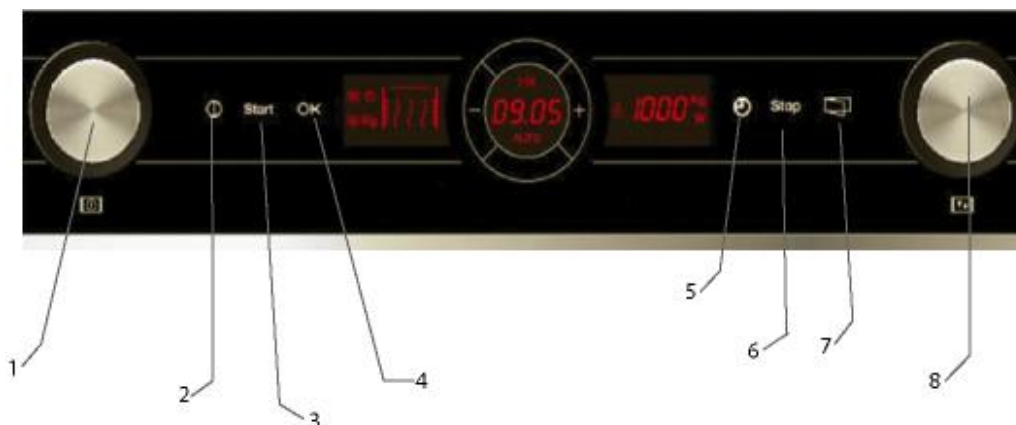
- | | |
|----------------------|------------------|
| 1. Catches | 4. Ceramic base |
| 2. Door window glass | 5. Control panel |
| 3. Drop-down grill | 6. Rack |



- | | |
|----------------------------|------------------|
| 1. Function selection knob | 5. Clock key |
| 2. Safety Block key | 6. Stop key |
| 3. Start key | 7. Door Open key |
| 4. OK key | 8. Rotating knob |

Basic settings

Setting the clock



After your microwave oven is first plugged in or after a power failure, the clock display will flash to indicate that the time shown is not correct. To set the clock, proceed as follows:

1. Press the Clock key (5) when the central display is showing the clock. The hour numbers will start to flash.

2. Press the "+" and "-" keys to set the correct hour value.

3. Press again the Clock key (5) to set the minutes. The minute numbers will start to flash.

4. Press the "+" and "-" keys to set the correct minute value.

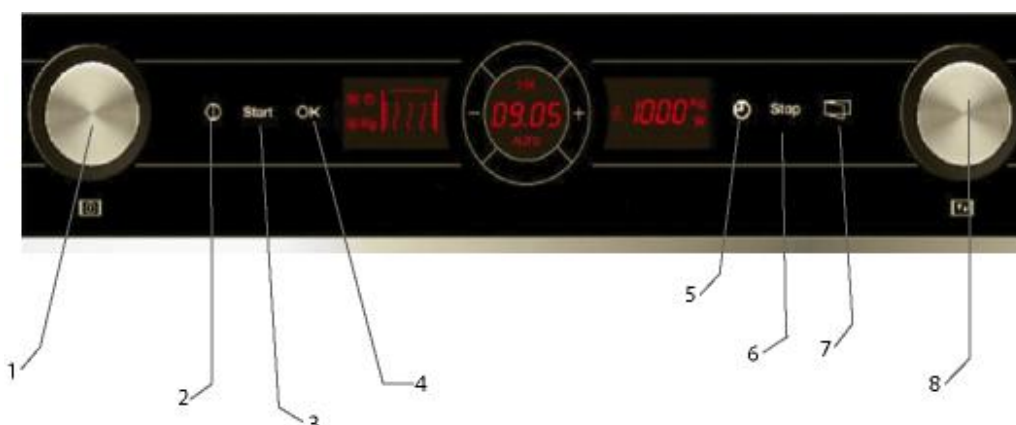
5. To finish, press the Clock key (5) again.

Hiding/Displaying the Clock

If the clock display disturbs you, you can hide it by pressing the Clock key for 3 seconds. The dots that separate the hours and minutes will flash but the rest of the clock display will be hidden.

If you want to see the clock display again, press the Clock key again for 3 seconds.

Safety blocking



The oven operation can be blocked (for example, to stop it from being used by children).

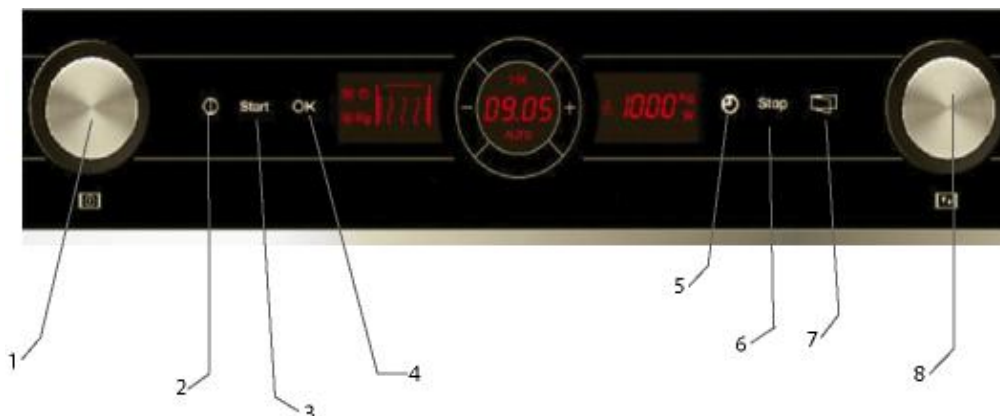
1. To block the oven, press the Safety Block key (2) for 3 seconds. You will hear a sound signal and the "key" indicator in the right display will illuminate. The oven is blocked in this state and cannot be used.

2. To unblock the oven, press the Safety Block key (2) again for 3 seconds. You will hear a sound signal.

Basic Functions

Microwaves

Use this function to cook and heat vegetables, potatoes, rice, fish and meat.



1. Turn the Function Selector knob (2) until the Microwave function symbol is illuminated on the left display. The centre display shows 1:00 flashing.
2. Turn the Rotating knob (6) in either direction to set the duration.
3. Press the OK key (4) to validate. The microwaves power value flashes on the right display together with microwaves power indicator.
4. Turn the Rotating knob (8) in either direction to set the microwaves power level. If you do

not turn this knob, the oven operates at 850 W power.

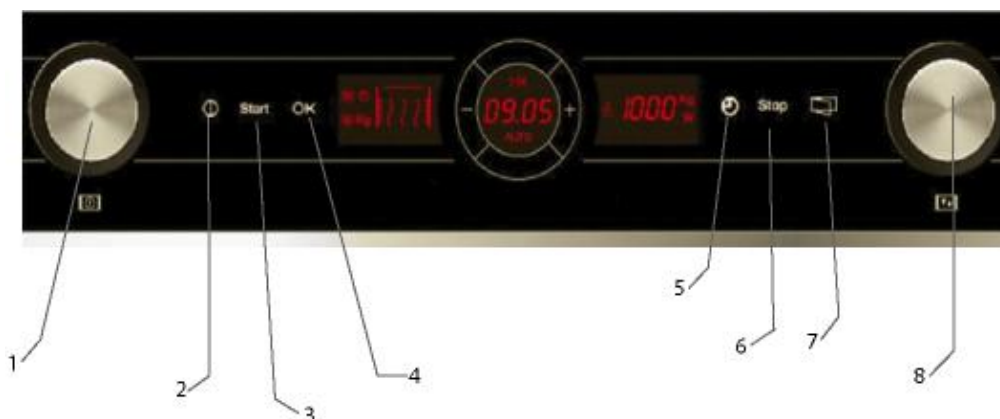
5. Press the OK key (4) to validate.
6. Press the Start key (1). The oven will start to operate.

NOTE:

The Start key may be pressed at anytime in the above sequence and the oven will start the cooking process with the displayed parameters.

Grill

Use this function to brown the top of food quickly.



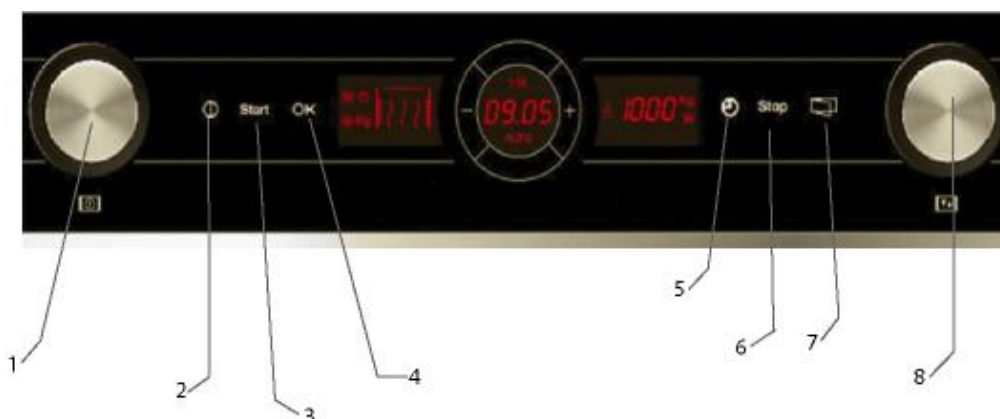
1. Turn the Function Selector knob (2) until the Grill function symbol is illuminated on the left display. The centre display shows 10:00 flashing.

2. Turn the Rotating knob (6) in either direction to set the duration.
3. Press the OK key (4) to validate.
4. Press the Start key (1). The oven will start to operate.

Basic Functions

Microwave + Grill

Use this function to cook lasagne, poultry, roast potatoes and toasted foods.



1. Turn the Function Selector knob (2) until the Microwave + Grill function symbol is illuminated on the left display. The centre display shows 10:00 flashing.
2. Turn the Rotating knob (6) in either direction to set the duration.
3. Press the OK key (4) to validate. The microwaves power value flashes on the right display together with microwaves power indicator.
4. Turn the Rotating knob (6) in either direction to set the microwaves power level. If you do

not turn this knob, the oven operates at 360 W power. The maximum power that can be selected is 360 W.

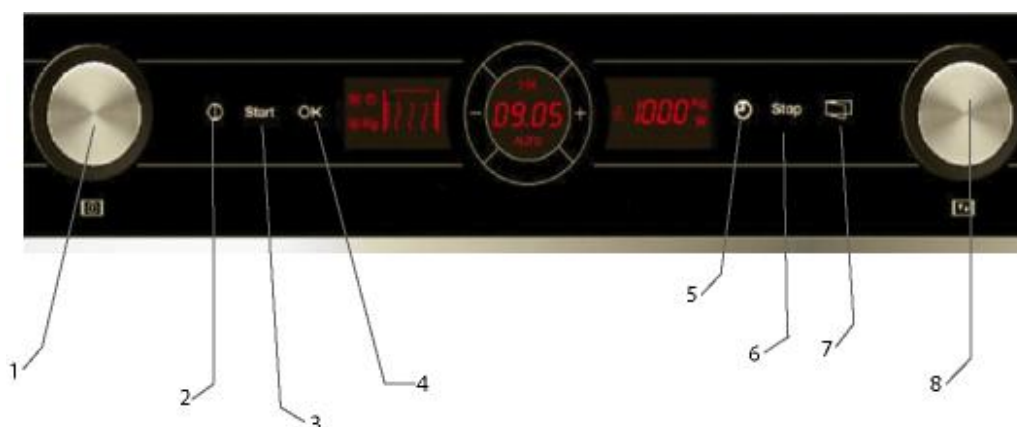
5. Press the OK key (4) to validate.
6. Press the Start key (1). The oven will start to operate.

NOTE:

The Start key may be pressed at anytime in the above sequence and the oven will start the cooking process with the displayed parameters.

Defrosting by time (manual)

Use this function to defrost any type of food quickly.

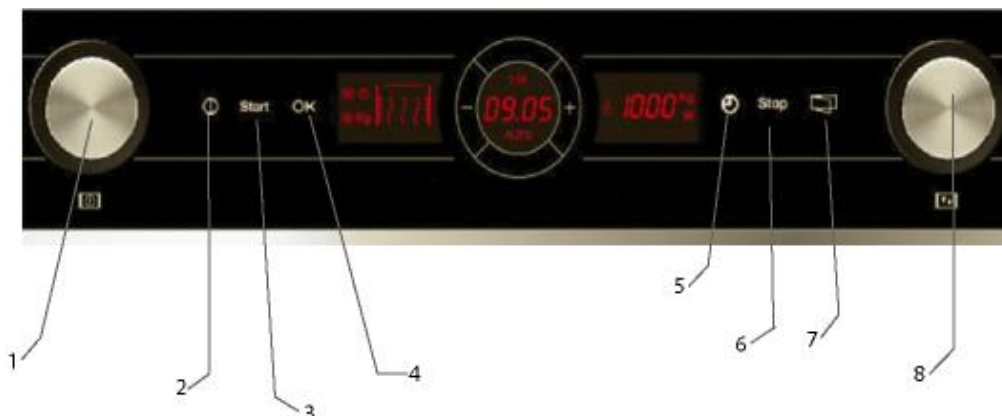


1. Turn the Function Selector knob (2) until the Defrost by Time function symbol is illuminated on the left display. The upper display shows 10:00 flashing.
2. Turn the Rotating knob (6) in either direction to set the duration.
3. Press the OK key (4) to validate.

4. Press the Start key (1). The oven will start to operate.
5. Turn the food whenever the oven lets out a beep and the display flashes the word **turn**.

Defrosting by weight (automatic)

Use this function to defrost meat, poultry, fish, fruit and bread quickly.



1. Turn the Function Selector knob (2) until the Defrost by Weight function symbol is illuminated on the left display. The centre display shows the food type "Pr 1" flashing.
2. Turn the Rotating knob (6) in either direction to set the food type. If you do not turn this knob, the oven operates with food type "Pr 1".
3. Press the OK key (4) to validate. The food weight value flashes on the right display together with the weight indicator.
4. Turn the Rotating knob (6) in either direction to set the food weight. If you do not turn this knob, the oven operates 200 g.
5. Press the OK key (4) to validate.
6. Press the Start key (1). The oven will start to operate showing the remaining time in the centre display.
7. Turn the food whenever the oven lets out a beep and the lower flashes the word *turn*.

The following table shows the defrosting by weight function programmes, indicating weight intervals, and defrosting and standing times (in order to ensure the food is of a uniform temperature).

Programme	Food	Weight (g)	Time (min)	Standing time (min)
Pr 1	Meat	100 – 2000	2 – 43	20 – 30
Pr 2	Poultry	100 – 2500	2 – 58	20 – 30
Pr 3	Fish	100 – 2000	2 – 40	20 – 30
Pr 4	Fruit	100 – 500	2 – 13	10 – 20
Pr 5	Bread	100 – 800	2 – 19	10 – 20

Important Note: see "General instructions for defrosting".

Special functions

Under construction

When the oven is working...

Interrupting a cooking cycle

You can stop the cooking process at any time by pressing the **Stop** key once or by opening the oven door.

In both cases:

- Microwave emission is stopped immediately.
- The grill is de-activated but is still very hot. Danger of burning!
- The timer stops and the **display** shows the remaining amount of operating time.

If you wish, at this time you can:

1. Turn or stir the food to ensure it will be evenly cooked.
2. Change the process parameters.
3. Cancel the process by pressing the **Stop** key for 3 seconds.

To restart the process, close the door and press the **Start** key

Altering parameters

The operating parameters (time, weight, power, etc.) can be altered when the oven is operating or when the cooking process has been interrupted by proceeding as follows:

1. To alter the time, turn the rotating knob. The new time defined is immediately valid.
2. To alter the power, press the **OK** key. The respective light starts to flash. Alter the parameter by turning the **Rotating Knob** and confirm by pressing the **OK** key again.

Cancelling a cooking cycle

If you wish to cancel the cooking process, press the **Stop** key twice.

You will then hear a beep and the time will appear on the **display**.

End of a cooking cycle

At the end of the process you will hear three beeps and the display will show the word "**End**".

The beeps are repeated every 30 seconds until the door is opened or the **Stop** key is pressed.

Defrosting

The table below shows different defrosting and standing times (in order to ensure the food

temperature is evenly distributed) for different types and weights of food, plus recommendations.

Food	Weight	Defrosting Time	Resting time	Comment
Pieces of meat, veal, beef, pork	100 g	3-4 min	5-10 min	Turn once
	200 g	6-7 min	5-10 min	Turn once
	500 g	14-15 min	10-15 min	Turn twice
	700 g	20-21 min	20-25 min	Turn twice
	1000 g	29-30 min	25-30 min	Turn twice
	1500 g	42-45 min	30-35 min	Turn three times
Stewed meat	500 g	12-14 min	10-15 min	Turn twice
	1000 g	24-25 min	25-30 min	Turn three times
Minced meat	100 g	4-5 min	5-6 min	Turn twice
	300 g	8-9 min	8-10 min	Turn three times
	500 g	12-14 min	15-20 min	Turn once
Sausage	125 g	3-4 min	5-10 min	Turn twice
	250 g	8-9 min	5-10 min	Turn once
	500 g	15-16 min	10-15 min	Turn twice
Poultry, poultry parts	200 g	7-8 min	5-10 min	Turn three times
	500 g	17-18 min	10-15 min	Turn once
Chicken	1000 g	34-35 min	15-20 min	Turn once
	1200 g	39-40 min	15-20 min	Turn once
	1500 g	48-50 min	15-20 min	Turn twice
Fish	100 g	3-4 min	5-10 min	Turn once
	200 g	6-7 min	5-10 min	Turn once
Trout	200 g	6-7 min	5-10 min	Turn twice
Shrimps	100 g	3-4 min	5-10 min	Turn once
	500 g	12-15 min	10-15 min	Turn once
Fruit	200 g	4-5 min	5-8 min	Turn twice
	300 g	8-9 min	10-15 min	Turn once
	500 g	12-14 min	15-20 min	Turn once
Bread	100 g	2-3 min	2-3 min	Turn twice
	200 g	4-5 min	5-6 min	Turn twice
	500 g	10-12 min	8-10 min	Turn twice
	800 g	15-18 min	15-20 min	Turn three times
Butter	250 g	8-10 min	10-15 min	Turn once, keep covered
Cottage cheese	250 g	6-8 min	5-10 min	Turn once, keep covered
Cream	250 g	7-8 min	10-15 min	Remove the lid

General instructions for defrosting

1. When defrosting, use only dishes that are appropriate for microwaves (china, glass, suitable plastic).
2. The defrost function by weight and the tables refer to the defrosting of raw food.
3. The defrosting time depends on the quantity and thickness of the food. When freezing food keep the defrosting process in mind. Distribute the food evenly in the container.
4. Distribute the food as best as possible inside the oven. The thickest parts of fish or chicken drumsticks should be turned towards the outside. You can protect the most delicate parts of food with pieces of aluminium foil. **Important:** The aluminium foil must not come into contact with the oven cavity interior as this can cause electrical arcing.
5. Thick portions of food should be turned several times.
6. Distribute the frozen food as evenly as possible since narrow and thin portions defrost more quickly than the thicker and broader parts.
7. Fat-rich foods such as butter, cream cheese and cream should not be completely defrosted. If they are kept at room temperature they will be ready to be served in a few minutes. With ultra-frozen cream, if you find small pieces of ice in it, you should mix these in before serving.
8. Place poultry on an upturned plate so that the meat juices can run off more easily.
9. Bread should be wrapped in a napkin so that it does not become too dry.
10. Turn the food whenever the oven lets out a beep and the display flashes the word: `turn`.
11. Remove frozen food from its wrapping and do not forget to take off any metal twist-tags. For containers that are used to keep frozen food in the freezer and which can also be used for heating and cooking, all you need to do is take off the lid. For all other cases you should put the food into containers that are suitable for microwave use.
12. The liquid resulting from defrosting, principally that from poultry, should be discarded. In no event should such liquids be allowed to come into contact with other foods.
13. Do not forget that by using the defrosting function you need to allow for standing time until the food is completely defrosted.

Cooking with a microwave oven

Warning! Read the section “Microwave Safety” before cooking with your microwave.

Follow these recommendations when cooking with your microwave:

- Before heating or cooking foods with peel or **skin** (e.g. apples, tomatoes, potatoes, sausages) **prick them** so that they do not burst. Cut the food up before starting to prepare it.
- Before using a container or dish make sure that it is suitable for microwave use (see the section on types of ovenware).
- When cooking food with very little moisture (e.g. **defrosting bread**, making popcorn, etc.) evaporation is very quick. The oven then works as if it was empty and the food may burn. The oven and the container may be damaged in such a situation. You should therefore set just the cooking time necessary and you must keep a close eye on the cooking process.
- It is not possible to heat large quantities of oil (**frying**) in the microwave.
- Remove **pre-cooked food** from the containers they come in since these are not always heat resistant. Follow the food manufacturer's instructions.
- **If you have several containers**, such as cups, for example, set them out uniformly on the ceramic base.
- Do not close **plastic bags** with metal clips. Use plastic clips instead. Prick the bags several times so that the steam can escape easily.
- When heating or cooking foods, check that they reach **at least a temperature of 70°C**.
- During cooking, **steam** may form on the oven door window and may start to drip. This situation is normal and may be more noticeable if the room temperature is low. The oven's safe working is not affected by this. After you have finished cooking, clean up the water coming from the condensation

- When heating liquids, use **containers with a wide opening**, so that the steam can evaporate easily.

Prepare the foods as per the instructions and keep in mind the cooking times and power levels indicated in the tables.

Keep in mind that the figures given are only indicative and can vary depending on the initial state, temperature, moisture and type of food. It is advisable to adjust the times and power levels to each situation. Depending on the exact characteristics of the food you may need to increase or shorten the cooking times or increase or decrease the power levels.

Cooking with microwaves...

1. The greater the amount of food, the longer the cooking time. Keep in mind that:

- Double the quantity » double the time
- Half the quantity » half the time

2. The lower the temperature, the longer the cooking time.

3. Foods containing a lot of liquid heat up more quickly.

4. Cooking will be more uniform if the food is evenly distributed on the ceramic base. If you put dense foods on the outside part of the plate and less dense ones on the centre of the plate, you can heat up different types of food simultaneously.

5. You can open the oven door at any time. When you do this the oven switches off automatically. The microwave will only start working again when you close the door and press the start key.

6. Foods that are covered require less cooking time and retain their characteristics better. The lids used must let microwaves pass through and have small holes that allow steam to escape.

Cooking with a microwave oven

Tables and suggestions – Cooking vegetables

Food	Quantity (g)	Addition of liquids	Power (Watt)	Time (min.)	Standing Time (min.)	Instructions
Cauliflower	500	100 ml	850	9-11	2-3	Cut into slices.
Broccoli	300	50 ml	850	6-8	2-3	Keep covered.
Mushrooms	250	25 ml	850	6-8	2-3	
Peas & carrots	300	100 ml	850	7-9	2-3	Cut into chunks or slices. Keep covered.
Frozen carrots	250	25 ml	850	8-10	2-3	Peel and cut into equal sized pieces. Keep covered.
Potatoes	250	25 ml	850	5-7	2-3	
Paprika	250	25 ml	850	5-7	2-3	Cut into chunks or slices Keep covered.
Leek	250	50 ml	850	5-7	2-3	
Frozen Brussel sprouts	300	50 ml	850	6-8	2-3	Keep covered.
Sauerkraut	250	25 ml	850	8-10	2-3	Keep covered.

Tables and suggestions – Cooking fish

Food	Quantity (g)	Power (Watt)	Time (min.)	Standing Time (min.)	Instructions
Fish fillets	500	600	10-12	3	Cook covered over. Turn after half of cooking time.
Whole fish	800	850	2-3	2-3	Cook covered over. Turn after half of cooking time. You may wish to cover up the small edges of the fish.
		400	7-9		

Cooking with the grill

For good results with the grill, use the rack supplied with the oven.

Fit the rack in such a way that it doesn't come into contact with the metal surfaces of the oven cavity since if it does there is a danger of electric arcing which may damage the oven.

IMPORTANT POINTS:

1. When the grill is used for the first time there will be some smoke and a smell coming from the oils used during oven manufacture.
2. The oven door window becomes very hot when the grill is working. **Keep children away.**
3. When the grill is operating, the cavity walls and the rack become very hot. You should use oven gloves.

4. If the grill is used for extended period of time it is normal to find that the elements will switch themselves off temporarily due to the safety thermostat.
5. **Important!** When food is to be grilled or cooked in containers you must check that the container in question is suitable for microwave use. See the section on types of ovenware!
6. When the grill is used it is possible that some splashes of fat may go onto the elements and be burnt. This is a normal situation and does not mean there is any kind of operating fault.
7. After you have finished cooking, clean the interior and the accessories so that cooking remains do not become encrusted.

Tables and suggestions – Grill without microwave

Fish	Quantity (g)	Time (min.)	Instructions
Fish			
Bass	800	18-24	Spread lightly with butter. After half of cooking time turn and spread with seasoning.
Sardines/gurnard	6-8 fish.	15-20	
Meat			
Sausages	6-8 units	22-26	Prick after half cooking time and turn.
Frozen hamburgers	3 units	18-20	
Spare rib (approx. 3 cm thick)	400	25-30	After half of cooking time, baste and turn.
Others			
Toast	4 units	1½-3	Watch toasting.
Toasted sandwiches	2 units	5-10	Watch toasting.

Heat up the grill beforehand for 2 minutes. Unless indicated otherwise, use the rack. Place the grid on a bowl so that the water and the fat can drop. The times shown are merely indicative and can vary as a function of the composition and quantity of the food, as well as the final condition wished for. Fish and meat taste great if, before grilling, you brush them with vegetable oil, spices and herbs and leave to marinate for a few hours. Only add salt after grilling.

Sausages will not burst if you prick them with a fork before grilling.

After half the grilling time has passed, check on how the cooking is going and, if necessary, turn the food over.

The grill is especially suitable for cooking thin portions of meat and fish. Thin portions of meat only need to be turned once, but thicker portions should be turned several times.

Cooking with the Grill

Tables and suggestions – Microwave + Grill

The microwave + grill function is ideal for cooking quickly and, at the same time, browning foods. Furthermore, you can also grill and cook cheese covered food.

The microwave and the grill work simultaneously. The microwave cooks and the grill toasts.

Food	Quantity (g)	Dish	Power (Watt)	Time (min.)	Standing time (min.)
Cheese topped pasta	500	Low dish	180	12-17	3-5
Cheese topped potatoes	800	Low dish	360	20-22	3-5
Lasagne	approx. 800	Low dish	360	15-20	3-5
Grilled cream cheese	approx. 500	Low dish	180	18-20	3-5
2 fresh chicken legs (grilled)	200 each	Low dish	180	10-15	3-5
Chicken	approx. 1000	Low and wide dish	180	35-40	3-5
Cheese topped onion soup	2 x 200 g cups	Soup bowls	180	2-4	3-5

Before using a dish in the microwave oven make sure that it is suitable for microwave use. Only use dishes or containers that are suitable for microwave use.

The dish to be used in the combined function must be suitable for microwave and grill use. See the section on types of ovenware!

Keep in mind that the figures given are merely indicative and can vary as a function of the initial state, temperature, moisture and type of food.

If the time is not enough to brown the food well, put it under the grill for another 5 or 10 minutes.

Please follow the standing times and don't forget to turn the meat pieces.

Unless indicated to the contrary, use the ceramic base for cooking.

The values given in the tables are valid when the oven cavity is cold (it is not necessary to pre-heat the oven).

What kind of ovenware can be used?

Microwave function

For the microwave function, keep in mind that microwaves are reflected by metal surfaces. Glass, china, clay, plastic, and paper let microwaves pass.

For this reason, **metal pans and dishes or containers with metal parts or decorations cannot be used in the microwave**. Glass ware and clay with **metallic decoration or content** (e.g. lead crystal) cannot be used in microwave ovens.

The **ideal** materials for use in microwave ovens are glass, refractory china or clay, or heat resistant plastic. Very thin, fragile glass or china should only be used for short period of times (e.g. heating).

Hot food transmits heat to the dishes which can become very hot. You should, therefore, always use an **oven glove!**

How to test ovenware you want to use

Put the item you want to use in the oven for 20 seconds at maximum microwave power. After that time, if it is cold and just slightly warm, it is suitable to use. However, if it heats up a lot or causes electric arcing it is not suitable for microwave use.

Grill function

In the case of the grill function, the ovenware must be resistant to temperature of at least 300°C.

Plastic dishes are not suitable for use in the grill.

Combined functions

In the microwave + grill function, the ovenware used must be suitable for use in both the microwave and the grill.

Aluminium containers and foil

Pre-cooked food in aluminium containers or in aluminium foil can be put in the microwave if the following aspects are respected:

- Keep in mind the manufacturer's recommendations written on the packaging.
- The aluminium containers cannot be more than 3 cm high or come in contact with the cavity walls (**minimum distance 3 cm**). Any aluminium lid or top must be removed.
- Put the aluminium container directly on top of the ceramic base. If you use the rack, put the container on a china plate. Never put the container directly on the rack!
- The cooking time is longer because the microwaves only enter the food from the top. If you have any doubts, it is best to use only dishes suitable for microwave use.
- Aluminium foil can be used to reflect microwaves during the defrosting process. Delicate food, such as poultry or minced meat, can be protected from excessive heat by covering the respective extremities/edges.
- **Important:** aluminium foil cannot come into contact with the cavity walls since this may cause electrical arcing.

Lids

We recommend you use glass or plastic lids or cling film since:

1. This will stop excessive evaporation (mainly during very long cooking times);
2. The cooking times are shorter;
3. The food does not become dry;
4. The aroma is preserved.

The lid should have holes or openings so that no pressure develops. Plastic bags must also be opened. Baby feeding bottles or jars with baby food and similar containers can only be heated without their tops / lids otherwise they can burst.

What kind of ovenware can be used?

Table of Ovenware

The table below gives you a general idea of what type of ovenware is suitable for each situation.

E Type of ovenware	Operating mode	Microwave		Grill	Microwave + Grill
		Defrosting / heating	Cooking		
Glass and china 1) Home use, not flame resistant, can be used in dish washer		yes	yes	no	no
Glazed china Flame resistant glass and china		yes	yes	yes	yes
China, stone ware 2) Unglazed or glazed without metallic decorations		yes	yes	no	no
Clay dishes 2) Glazed Unglazed		yes no	yes no	no no	no no
Plastic dishes 2) Heat resistant to 100°C Heat resistant to 250°C		yes yes	no yes	no no	no no
Plastic films 3) Plastic film for food Cellophane		no yes	no yes	no no	no no
Paper, cardboard, parchment 4)		yes	No	no	no
Metal Aluminium foil Aluminium wrappings 5) Accessories (rack)		yes no yes	no yes yes	yes yes yes	no yes yes

1. Without any gold or silver leaf edging; no lead crystal.
2. Keep the manufacturer's instructions in mind!
3. Do not use metal clips for closing bags. Make holes in the bags. Use the films only to cover the food.

4. Do not use paper plates.
5. Only shallow aluminium containers without lids/tops. The aluminium cannot come into contact with the cavity walls.

Oven Cleaning and Maintenance

Cleaning is the only maintenance normally required.

Warning! Your microwave oven should be cleaned regularly, with all food remains being removed. If the microwave is not kept clean its surfaces may deteriorate, **reducing the oven's working life and possibly resulting in a dangerous situation.**

Warning! Cleaning should be done with the oven power switched off. Take the plug out of the socket or switch off the oven's power circuit.

Do not use aggressive or abrasive cleaning products, scourers that scratch surfaces or sharp objects, since stains may appear.

Do not use high pressure or stream jet cleaning appliances.

Front surface

Normally you just need to clean the oven with a damp cloth. If it is very dirty, add a few drops of dishwashing liquid to the cleaning water. Afterwards, wipe the oven with a dry cloth.

Immediately remove lime, fat, starch or egg white stains. Corrosion can occur under these stains.

Do not let any water get inside the oven.

Oven interior

After each time the oven is used, clean the inside walls with a damp cloth since this is the easiest way to remove splashes or spots of food that may have stuck to the inside.

To remove dirt that is harder to shift, use a non-aggressive cleaning product. **Do not use oven sprays or other aggressive or abrasive cleaning products.**

Always keep the door and the oven front very clean to ensure that the door opens and closes properly.

Make sure water does not enter the microwave ventilation holes.

Regularly clean the cavity base, especially after any liquid spillage.

If the oven cavity is very dirty, put a glass of water on the cavity base and switch on the microwave oven for 2 or 3 minutes at maximum power. The steam released will soften the dirt which can then be cleaned easily using a soft cloth.

Unpleasant odours (e.g. after cooking fish) can be eliminated easily. Put a few drops of lemon juice in a cup with water. Put a small spoon in the cup to avoid the water boiling over. Heat the water for 2 to 3 minutes at maximum microwave power.

Oven ceiling

If the oven ceiling is dirty, the grill can be lowered to make cleaning easier.

To avoid the danger of burning, wait until the grill is cold before lowering it. Proceed as follows:

1. Turn the grill support by 180° (1)
2. Lower the grill gently (2). Do not use excessive force as this may cause damage.
3. After cleaning the ceiling, put the grill (2) back in its place, carrying out the previous operation.

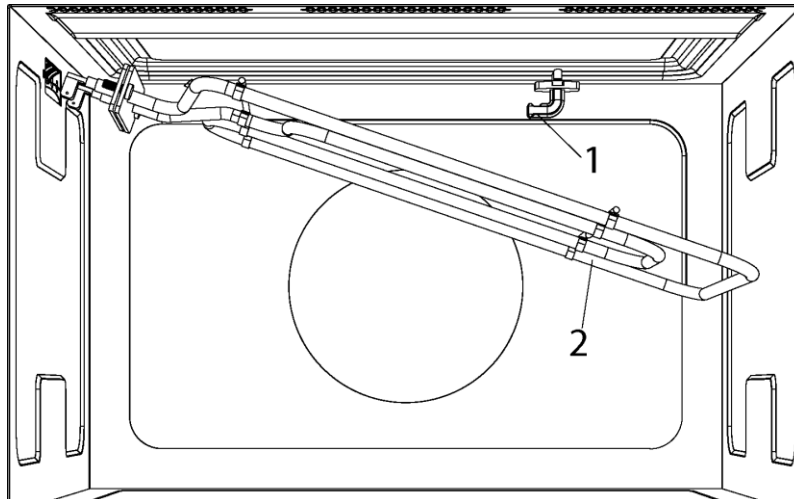
IMPORTANT WARNING: The grill heating element support (1) may fall when it is rotated. If

this happens, insert the grill heating element support (1) into the slot in the ceiling of the cavity and rotate it 90° to the grill heating element support (2) position.

Accessories

Clean the accessories after each use. If they are very dirty, soak them first of all and then use a brush and sponge. The accessories can be washed in a dish washing machine.

Make sure that the ceramic base and the respective support are always clean. Do not switch on the oven unless the ceramic base and the respective support are in place.



What should I do if the oven doesn't work?

WARNING! Any type of repair must only be done by a specialised technician. Any repair done by a person not authorised by the manufacturer is dangerous.

You do not need to contact Technical Assistance to resolve the following questions:

- **The display is not showing!** Check if:
 - The time indication has been switched off (see section on Basic Settings).
- **Nothing happens when I press the keys!** Check if:
 - The Safety Block is active (see section on Basic Settings).
- **The oven does not work!** Check if:
 - The plug is correctly fitted in the socket.
 - The oven's power is switched on.
 - The door is completely closed. The door should close with an audible click.
 - There are any foreign bodies between the door and the cavity front.
- **When the oven is operating I can hear some strange noises!** Check if:
 - There is an electrical arcing inside the oven caused by foreign metallic objects (see section on type of ovenware).
 - The ovenware is touching the oven walls.
 - There are any loose items of cutlery or cooking tools inside the oven.
- **The food doesn't heat up or heats very slowly!** Check if:
 - You have inadvertently used metal ovenware.
 - You have selected the correct operating times and power level.
 - The food you have put inside the oven is a larger amount or colder than you usually put in.




- **The food is too hot, dried out or burnt!** Check if you selected the correct operating time and power level.
- **I hear some noises after the cooking process is finished!** This is not a problem. The cooling fan keeps on working for some time. When the temperature has dropped sufficiently, the fan will switch itself off.
- **The oven switches on but the interior light does not go on!** If all the functions work properly it is probable that the lamp has blown. You can keep on using the oven.
- **The display shows "cErr"!** Disconnect the plug and wait approximately 5 seconds. After that, you can plug in the Microwave again, the "cErr" message disappears and the appliance is fully operational.

Substitution of light bulb

If the light bulb needs substitution call the Technical Assistance since it is necessary to uninstall the oven to replace it.

Technical characteristics

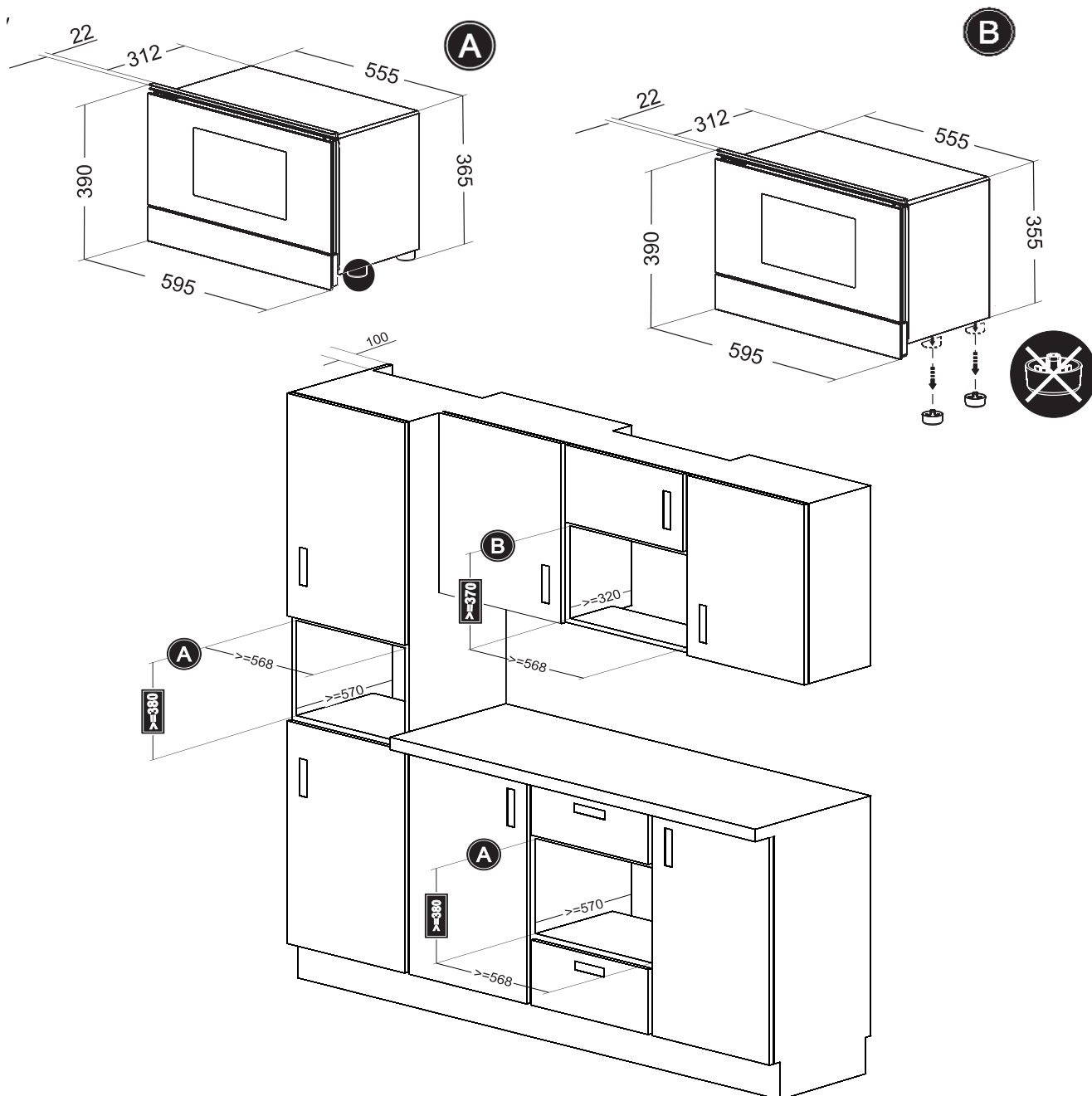
Description of Functions

Symbol	Function	Microwave Power Output	Foods
)))	Microwave	90 W	Slow defrosting for delicate foods; keeping food hot
		180 W	Cooking with little heat; boiling rice Rapid defrosting
		360 W	Melting butter Heating baby food
		600 W	Cooking vegetables and food Cooking and heating carefully, Heating and cooking small portions of food Heating delicate food
		850 W	Cooking and rapidly heating liquids and pre-cooked foods
 	Microwave + Grill	90 W	Toasting food
		180 W	Grilling poultry and meat
		360 W	Cooking pies and cheese-topped dishes
	Grill		Grilling food

Specifications

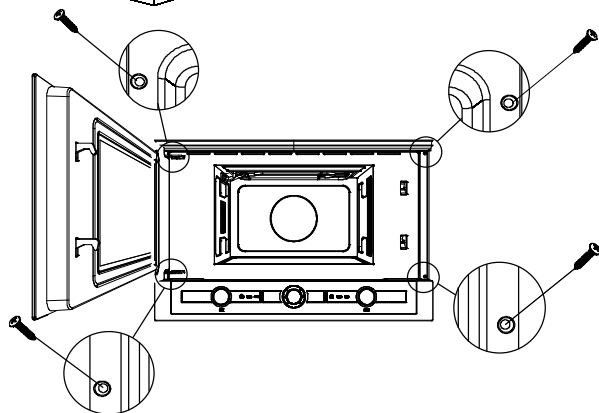
- AC Voltage (see rating plate)
- Power required 2500 W
- Grill power. 1200 W
- Microwave output power..... 850 W
- Microwave frequency ... 2450 MHz
- Exterior dimensions (W×H×D). 595 × 390 × 334 mm
- Interior dimensions (W×H×D). 350 × 210 × 280 mm
- Oven capacity..... 22 ltr
- Weight 22 kg

Installation



EN

- Push oven completely into the cabinet and centre it.
- Open microwave door and fasten the appliance to the cabinet using the four screws provided. Insert the screws through the front holes.



COUNTRY	COMPANY	CC	TELEPHONE	E-MAIL / FAX
AUSTRALIA	TEKA AUSTRALIA Pty. Ltd.	61	3 9550 6100	sales@tekaaustralia.com.au
AUSTRIA	KÜPPERSBUSCH GesmbH	43	1 866 800	info@kueppersbusch.at
BELGIUM	B.V.B.A. KÜPPERSBUSCH S.P.R.L.	32	2 466 8740	info@koppersbusch.be
BULGARY	TEKA BULGARIA EOOD.	359	2 9768 330	2 9768 332
CANADA	TEKA CANADA LTD.	1	866-282-5403	info@tekanada.com
CHILE	TEKA CHILE, S.A.	56	2 4386 000	info@teka.cl
P. R. CHINA	TEKA INTERNATIONAL TRADING (Shanghai)	86	21 511 688 41	info@teka.cn
CZECH REPUBLIC	TEKA CZ S.R.O.	420	2 84 691940	info@teka-cz.cz
ECUADOR	TEKA ECUADOR, S.A.	593	4 2251174	ventas@teka.ec
FRANCE	TEKA FRANCE S.A.S.	33	1 343 01597	1 343 01598
GERMANY	TEKA KÜCHENTECHNIK GmbH	49	27718141-0	info@teka-kuechentechnik.de
GREECE	TEKA HELLAS A.E.	30	210 9760283	info@tekahellas.gr
HUNGARY	TEKA HUNGARY KFT	36	1 3542110	teka@teka.hu
INDONESIA	PT TEKA BUANA	62	21 390 5274	teka@tekabuana.com
ITALY	TEKA ITALIA S.P.A.	39	0775 898271	info@tekaitalia.it
KOREA (SOUTH REP.)	TEKA KOREA CO. LTD.	82	2 599 4444	222 345 668
MALAYSIA	TEKA KÜCHENTECHNIK (MALAYSIA) SDN.	60	3 7620 1600	customer_svc@teka.com.my
MIDDLE EAST	TEKA KÜCHENTECHNIK MIDDLE EAST FZE	971	4 887 2912	teka@emirates.net.ae
MEXICO	TEKA MEXICANA S.A. de C.V.	52	555 133 0493	ventas@tekamexicana.com.mx
PAKISTAN	KÜPPERSBUSCH-TEKA PAKISTAN Pvt. Ltd.	92	42 576 1656	42 576 1657
POLAND	TEKA POLSKA SP. ZO.O.	48	22 7383270	teka@teka.com.pl
PORTUGAL	TEKA PORTUGAL, S.A.	351	234 329 510	sacliente@teka.pt
RUSSIA	TEKA RUS LLC	7	495 101 31 08	info@tekarus.ru
SINGAPORE	TEKA SINGAPORE PTE. LTD.	65	67342415	tekasin@pacific.net.sg
SPAIN	TEKA INDUSTRIAL, S.A.	34	942350505	mail@teka.com
THAILAND	TEKA (THAILAND) CO. LTD.	66	2 652 2999	2 652 2740 1
TURKEY	TEKA TEKNİK MUTFAK	90	212 288 3134	teka@teka.com.tr
UKRAINE	TEKA UA	380	44 496 0680	info@teka.ua
UNITED ARAB EMIRATES	TEKA KÜCHENTECHNIK U.A.E. LLC	971	4 283 3047	uaeteka@emirates.net.ae
UNITED KINGDOM	TEKA PRODUCTS LTD.	44	1235 861916	info@teka.co.uk
USA	TEKA USA, INC.	1	813 2888820	info@tekausa.com
VENEZUELA	TEKA ANDINA, S.A.	58	2 1229 12821	teka@teka.com.ve



TEKA Industrial, S. A.
Cajo, 17
39011 SANTANDER (Spain)
Tel: 34 – 942 – 35 50 50
Fax: 34 – 942 – 34 76 94
mail@teka.com



**TEKA Küchentechnik
GmbH**
Sechsheldener Str. 122
35708 Haiger (Germany)
Tel: 49 – 2771 – 8141 - 0
Fax: 49 – 2771 – 8141 – 10

Cód: xxxxxx